

JETEC TYPE DESIGNATION REGISTRATION FORM

ATR TUBE

Manufacturer's Designation: BL 650
JETEC Designation: 6890
Manufacturer: Bomac Laboratories, Inc.
Beverly, Massachusetts

April 12, 1957

GENERAL CHARACTERISTICS

The 6890 is a broad band ATR tube designed to effectively decouple the transmitting and receiving antenna during a non-transmitting period designed to operate over a frequency range 9000 to 9600 megacycles per second. To be used in half height RG-52/U size guide.

ELECTRICAL DATA - TYPICAL VALUES

Center Frequency	9300 Mc/s
Loaded Q (max.)	6.5
Transmitter Peak Power (max.)	30 kw
Transmitter Peak Power (min)	0.5 kw
Equivalent Conductance (max.)	0.1
Tuning Susceptance (max.)	±0.06
Arc Power Loss (max.)	1.6 db
F=9300 mc; po=4.0 kw; tp=0.5 us; prr=1000 pps; TA=95 deg. C	
Recovery Time (max.)	8.0 us
F=9300 Mc; po=5.0 kw; tp=0.5 us; prr 1000 pps	

MECHANICAL DATA - GENERAL

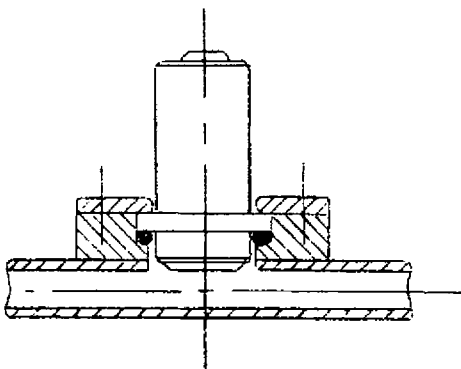
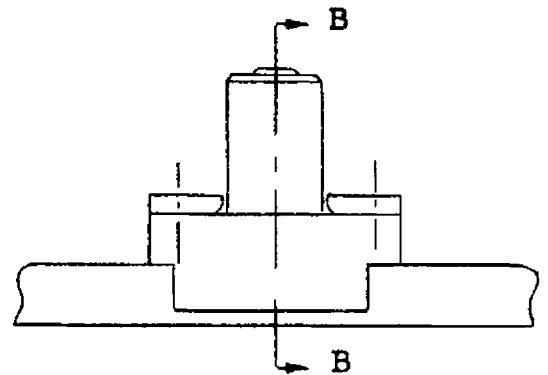
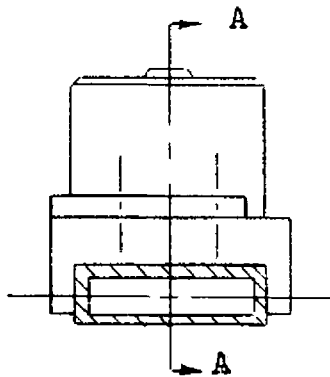
Mounting Position	Any
Weight, approximately	1.25 ozs.

ABSOLUTE MAXIMUM RATINGS

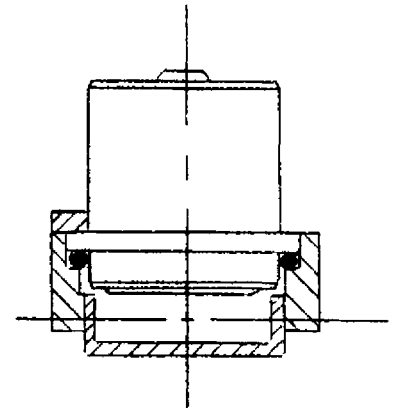
Transmitter Peak Power	30 kw
Transmitter Average Power	15 W

OUTLINE DRAWINGS

Outline per attached drawing dated 11-23-54
Mounting Seat per attached drawing dated 7-13-54



Section A-A of mount
showing tube in position

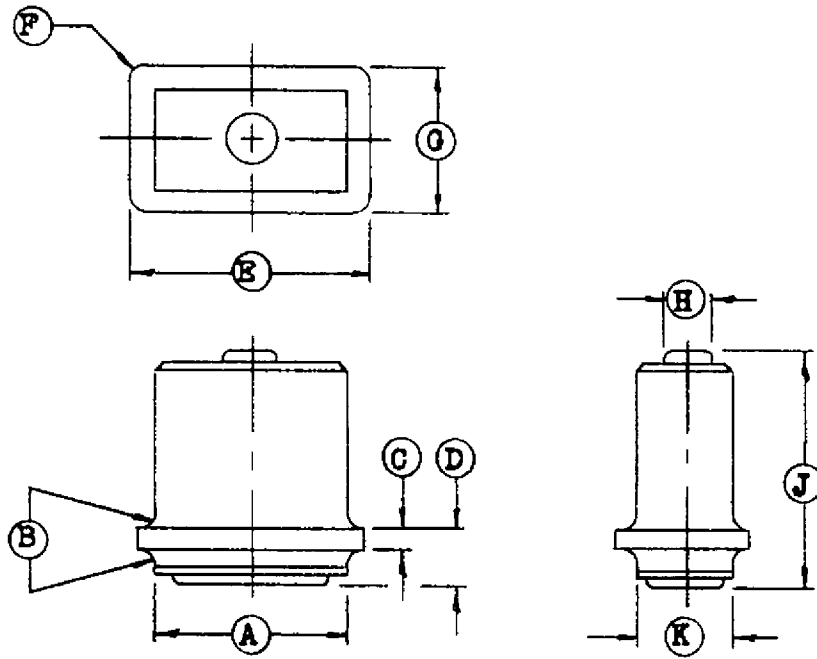


Section B-B of mount
showing tube in position

NOTES

1. Design of Holder optional
2. Tube held firmly in place by screw clamp
3. Bottom of tube is to be approx. flush ($\pm.004$) with inside surface of waveguide.
4. Tube used with half height guide I.D. - $.200 \pm.003 \times .900 \pm.003$.

SPECIFICATION SHEET		BOMAC LABORATORIES INC. SALEM ROAD BEVERLY, MASSACHUSETTS
TUBE SEAT MOUNTING		
GS-2E-1.10.30.14	6890/BL-650, BL-77, 6396	7-13-54 R.R.



Ref.	Dimension
A	1.000
B**	0.030 Rad. Max.
C*	0.0965+.003-.002
D	0.279±.003
E	1.200±.003
F**	0.070-0.080 Rad.
G	0.700±.003
H**	0.250 Dia. Max.
J*	1.250 Max.
K	0.500

Outline used for following tubes:-

6369	BL- 68	BL- 77
6393	BL- 69	6890/BL-650 ,
6396	BL- 70	
	BL- 76	

SPECIFICATION SHEET		BOMAC LABORATORIES INC. SALEM ROAD BEVERLY, MASSACHUSETTS
	Outline See Note for Usage	11-23-54 clr